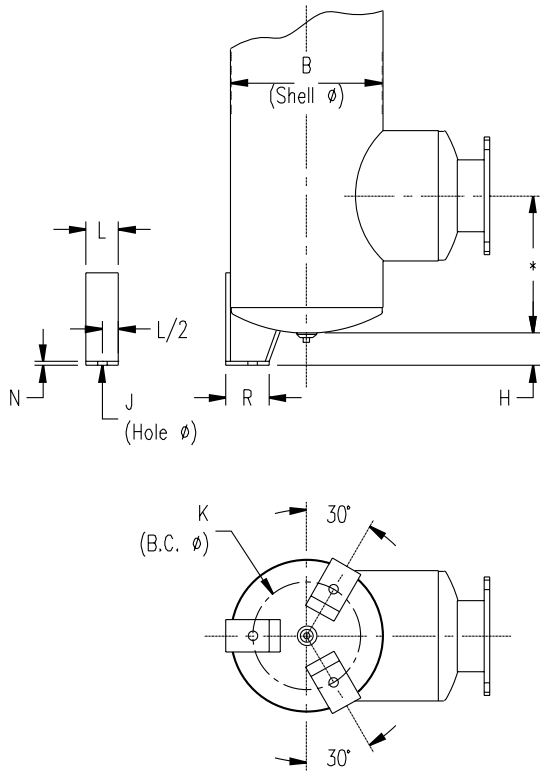
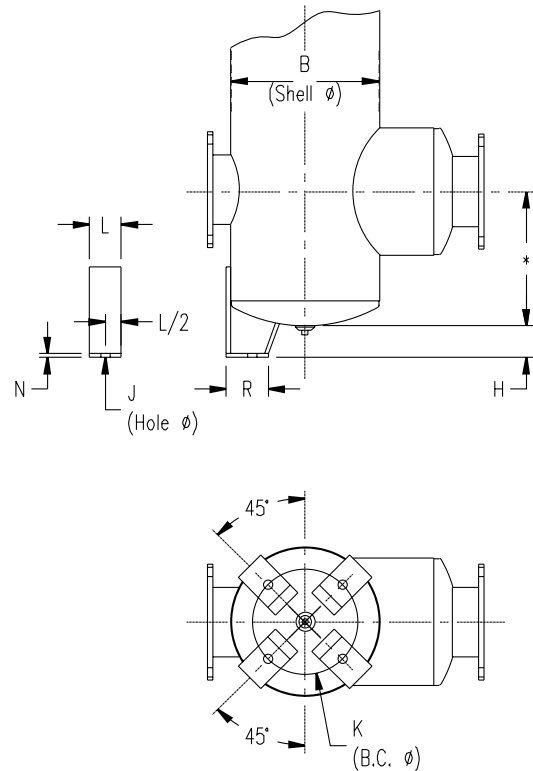


ACCESSORIES

(3) LEG DESIGN



(4) LEG DESIGN



NOTES:

- 1) Bracket legs of increased height and/or special design are available upon request.
- 2) Bracket legs are welded in place unless otherwise specified.
- 3) (4) bracket legs are recommended for shell diameters 48" and larger and on all opposed-connection series (-LL).
- * Product "L" dimension - reference applicable Spec Sheet for details.

DIMENSIONS AND WEIGHTS

B (SHELL DIA.)	REFERENCE	H	L	R	N	J (HOLE DIA.)	K (B.C. DIA.)	WEIGHT (PER LEG)
8	S150-A00080	3	3	3	3/8	7/8	6	5
10	S150-A00100	3	3	3	3/8	7/8	8	6
12	S150-A00120	3	3	4	3/8	7/8	8	7
14	S150-A00140	3	3	4	3/8	7/8	10	7
16	S150-A00160	3	3	4	3/8	7/8	12	7
18	S150-A00180	3	3	4	3/8	7/8	14	7
20	S150-A00200	3	4	5	3/8	1 1/8	15	9
22	S150-A00220	3	4	5	3/8	1 1/8	17	9
24	S150-A00240	3	4	5	3/8	1 1/8	19	9
26	S150-A00260	3	4	5	3/8	1 1/8	21	10
28	S150-A00280	3	4	5	3/8	1 1/8	23	10
30	S150-A00300	3	4	5	3/8	1 1/8	25	10
32	S150-A00320	3	4	5	3/8	1 1/8	27	10
36	S150-A00360	3	4	5	3/8	1 1/8	31	11
42	S150-A00420	3	4	6	3/8	1 3/8	36	12
48	S150-A00480	3	4	6	3/8	1 3/8	42	12
54	S150-A00540	3	4	6	3/8	1 3/8	48	12
60	S150-A00600	4	4	6	3/8	1 3/8	54	13
66	S150-A00660	4	4	6	3/8	1 3/8	60	13
72	S150-A00720	4	6	6	1/2	1 3/8	66	27