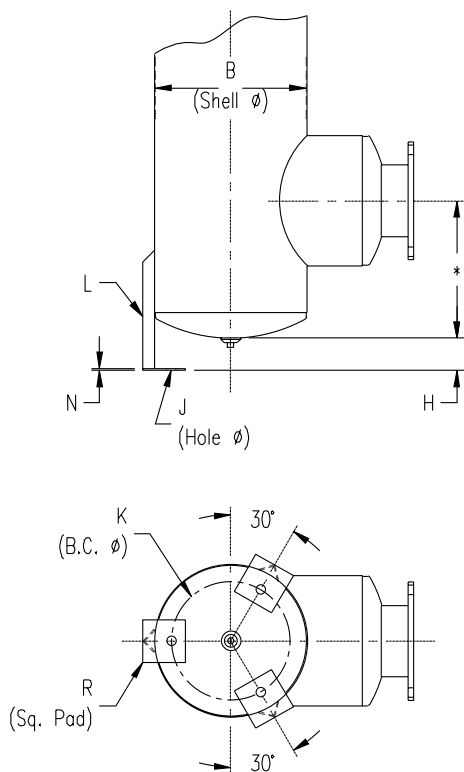
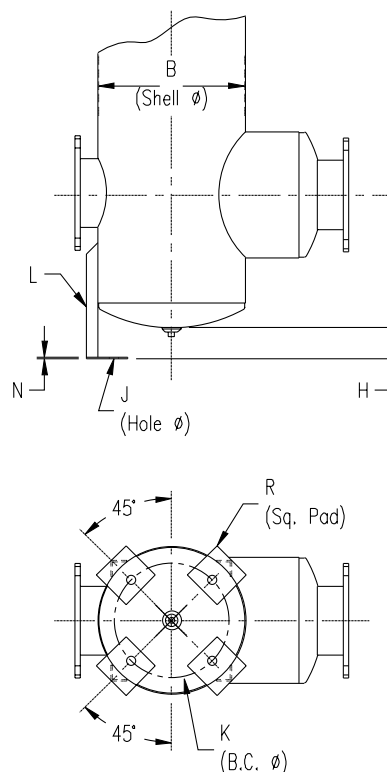


# ACCESSORIES

**(3) LEG DESIGN**



**(4) LEG DESIGN**



**NOTES:**

- 1) Angle-iron legs of increased height and/or special design are available upon request.
- 2) Angle-iron legs are welded in place unless otherwise specified.
- 3) (4) angle-iron legs are recommended for shell diameters 48" and larger and on all opposed-connection series (-LL).
- \* Product "L" dimension - reference applicable Spec Sheet for details.

## DIMENSIONS AND WEIGHTS

B (SHELL DIA.)	REFERENCE	H	L (ANGLE LEG)	R (SQ. PAD)	N	J (HOLE DIA.)	K (B.C. DIA.)	WEIGHT (PER LEG)
8	S150-B00080		SHELL DIAMETERS BELOW 12": AVAILABLE UPON REQUEST					
10	S150-B00100		SHELL DIAMETERS BELOW 12": AVAILABLE UPON REQUEST					
12	S150-B00120	3	1 1/2 x 1 1/2 x 1/8	4 x 4	3/16	7/8	9	3 1/2
14	S150-B00140	3	1 1/2 x 1 1/2 x 1/8	4 x 4	3/16	7/8	11	3 1/2
16	S150-B00160	3	1 1/2 x 1 1/2 x 1/8	4 x 4	3/16	7/8	13	3 1/2
18	S150-B00180	3	2 1/2 x 2 1/2 x 3/16	5 x 5	1/4	1	15 1/2	6
20	S150-B00200	3	2 1/2 x 2 1/2 x 3/16	5 x 5	1/4	1	17 1/2	6
22	S150-B00220	3	2 1/2 x 2 1/2 x 3/16	5 x 5	1/4	1	19 1/2	6
24	S150-B00240	3	2 1/2 x 2 1/2 x 3/16	5 x 5	1/4	1	21 1/2	6
26	S150-B00260	3	2 1/2 x 2 1/2 x 3/16	5 x 5	1/4	1	23 1/2	6
28	S150-B00280	3	2 1/2 x 2 1/2 x 3/16	5 x 5	1/4	1	25	6
30	S150-B00300	3	2 1/2 x 2 1/2 x 3/16	5 x 5	1/4	1	27 1/2	6
32	S150-B00320	3	3 x 3 x 3/16	6 x 6	5/16	1 1/4	29	11
36	S150-B00360	3	3 x 3 x 3/16	6 x 6	5/16	1 1/4	33	11
42	S150-B00420	3	3 x 3 x 3/16	6 x 6	5/16	1 1/4	39	11
48	S150-B00480	3	3 x 3 x 3/16	6 x 6	5/16	1 1/4	45	11
54	S150-B00540	3	4 x 4 x 5/16	7 x 7	1/2	1 3/8	51	32
60	S150-B00600	4	4 x 4 x 5/16	7 x 7	1/2	1 3/8	57	32
66	S150-B00660	4	4 x 4 x 5/16	7 x 7	1/2	1 3/8	63	32
72	S150-B00720	4	4 x 4 x 5/16	7 x 7	1/2	1 3/8	69	32