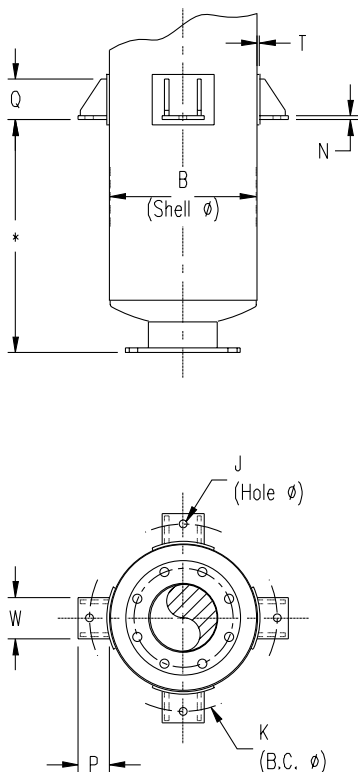


# ACCESSORIES



**NOTES:**

- 1) Shell lugs of special design are available upon request.
- 2) Shell lugs are welded in place unless otherwise specified.

\* Standard shell lug location at 2/3 overall height of product - reference applicable Spec Sheet for details.

## DIMENSIONS AND WEIGHTS

B (SHELL DIA.)	REFERENCE	W	P	N	Q	T	J (HOLE DIA.)	K (B.C. DIA.)	WEIGHT (PER LUG)
8	S150-C00080	3	3	1/4	2 3/4	---	1/2	11	2
10	S150-C00100	3	3	3/8	2 7/8	1/4	5/8	13	3
12	S150-C00120	3	3	3/8	2 7/8	1/4	5/8	15	3
14	S150-C00140	4	4	3/8	3 7/8	1/4	3/4	18	4
16	S150-C00160	4	4	3/8	3 7/8	1/4	3/4	20	4
18	S150-C00180	4	4	3/8	3 7/8	1/4	3/4	22	4
20	S150-C00200	4	4	3/8	3 7/8	1/4	3/4	24	4
22	S150-C00220	4	4	3/8	3 7/8	1/4	3/4	26	4
24	S150-C00240	4	4	3/8	3 7/8	1/4	3/4	28	4
26	S150-C00260	4	4	1/2	4	3/8	1	30	7
28	S150-C00280	4	4	1/2	4	3/8	1	32	7
30	S150-C00300	4	4	1/2	4	3/8	1	34	7
32	S150-C00320	4	4	1/2	4	3/8	1	36	7
36	S150-C00360	4	4	1/2	4	3/8	1	40	7
42	S150-C00420	5	5	1/2	5	3/8	1 3/8	47	11
48	S150-C00480	5	5	1/2	5	3/8	1 3/8	53	11
54	S150-C00540	5	5	1/2	5	3/8	1 1/2	59	11
60	S150-C00600								
66	S150-C00660								
72	S150-C00720								

SHELL DIAMETERS ABOVE 54": AVAILABLE UPON REQUEST