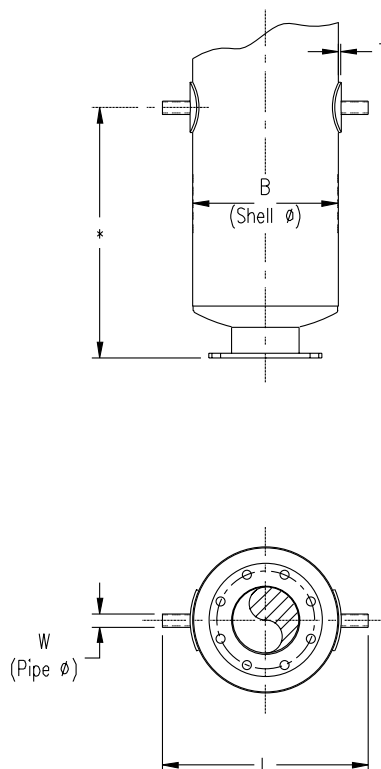


ACCESSORIES



NOTES:

- 1) Trunnions of special design are available upon request.
- 2) Trunnions are welded in place unless otherwise specified.

* Standard trunnion location at 2/3 overall height of product - reference applicable Spec Sheet for details.

DIMENSIONS AND WEIGHTS

B (SHELL DIA.)	REFERENCE	W (PIPE DIA.)	L	T	WEIGHT (PER TRUNNION)
8	S150-D00080	SHELL DIAMETERS BELOW 12": AVAILABLE UPON REQUEST			
10	S150-D00100				
12	S150-D00120	1 1/2	20	1/4	5
14	S150-D00140	1 1/2	22	1/4	5
16	S150-D00160	1 1/2	24	1/4	5
18	S150-D00180	2 3/8	26	1/4	7
20	S150-D00200	2 3/8	32	1/4	7
22	S150-D00220	2 3/8	34	1/4	7
24	S150-D00240	2 3/8	36	1/4	7
26	S150-D00260	2 3/8	38	1/4	7
28	S150-D00280	3 1/2	40	1/4	7
30	S150-D00300	3 1/2	42	1/4	7
32	S150-D00320	3 1/2	44	1/4	7
36	S150-D00360	3 1/2	48	3/8	24
42	S150-D00420	3 1/2	54	3/8	24
48	S150-D00480	3 1/2	60	3/8	24
54	S150-D00540	3 1/2	66	3/8	24
60	S150-D00600	4 1/2	72	1/2	51
66	S150-D00660	4 1/2	78	1/2	51
72	S150-D00720	4 1/2	84	1/2	51