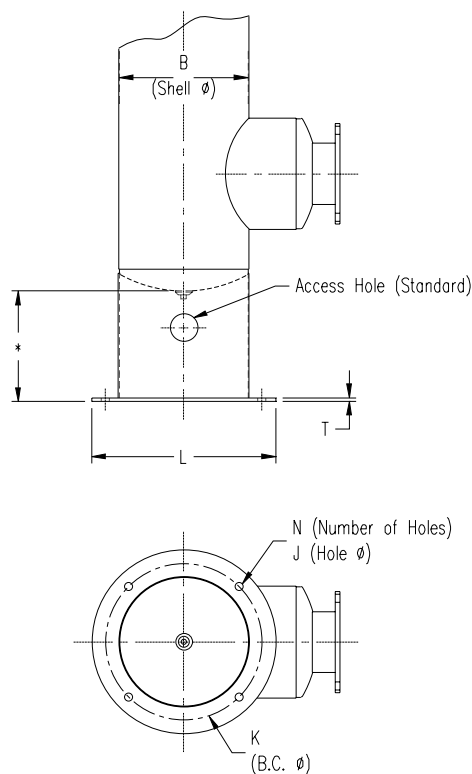


ACCESSORIES



NOTES:

- 1) Skirt & base rings of increased height and/or special design are available upon request.
- 2) Skirt & base rings are welded in place unless otherwise specified.

* Standard skirt & base ring height = 12".

DIMENSIONS AND WEIGHTS

B (SHELL DIA.)	REFERENCE	L	T	N (# OF HOLES)	J (HOLE DIA.)	K (B.C. DIA.)	WEIGHT
8	S150-E00080	14	3/8	4	7/8	11	37
10	S150-E00100	16	3/8	4	7/8	13	44
12	S150-E00120	18	3/8	4	7/8	15	55
14	S150-E00140	20	3/8	4	7/8	17	62
16	S150-E00160	22	3/8	4	7/8	19	74
18	S150-E00180	24	3/8	4	7/8	21	84
20	S150-E00200	26	3/8	4	7/8	23	95
22	S150-E00220	28	3/8	4	7/8	25	100
24	S150-E00240	30	3/8	4	7/8	27	115
26	S150-E00260	32	3/8	4	7/8	29	128
28	S150-E00280	34	3/8	4	7/8	31	140
30	S150-E00300	36	3/8	4	7/8	33	151
32	S150-E00320	38	3/8	4	7/8	35	162
36	S150-E00360	42	3/8	4	7/8	39	187
42	S150-E00420	48	1/2	6	7/8	45	304
48	S150-E00480	54	1/2	6	7/8	51	350
54	S150-E00540	60	1/2	6	7/8	57	408
60	S150-E00600	68	1/2	6	7/8	64	498
66	S150-E00660	74	1/2	6	7/8	70	560
72	S150-E00720	80	3/4	8	1 1/8	76	940